

**TMI GROUP**

Technical Datasheet

**UNIDACHS**

**2**



Operating weight: approx. 5,100 up to 5,500 kg  
Diesel drive with 55 kW, alternatively electric drive with 37 kW  
Telescopic stroke: 2,000 mm

# 220

## » Technical specifications

### Crawler Undercarriage

Crawler chain	B00
Base plates	200 mm
Gradability	50 %
Ground pressure	7.5 t/m <sup>2</sup> (200 mm base plates) max. 3.9 t each outrigger
Outriggers	4 pcs. (proportional) With outrigger relief
Drive system	Stepless hydrostatic traction drive, independent drive for each track side
Brakes	Spring set, hydraulically released wet multi disc brake
Parking brake	Wet multi-disc brake, wear free, automatic activation when joystick is in neutral position
Travel speed	0 – 2.9 km/h

### Electro Drive 3-phase (alternative)

Rated power	37 kW at 400 V / 50 Hz 37 kW at 460 V / 60 Hz
Voltage	400 V or 460 V
Frequency	50 Hz or 60 Hz

### Diesel Drive

Diesel engine (EU/USA)	Deutz AG, 4-cylinder, TCD 2.9, Diesel engine with diesel oxidation catalytic converter and particulate filter, without DEF injection, emission stage EU V / USA Tier 4, output 55.4 kW
Diesel engine (non EU/USA)	Deutz AG, 4-cylinder, TCD 2.9, Diesel engine without exhaust gas aftertreatment, without DEF injection, emission stage EU IIIB / USA Tier 4i, output 54.0 kW
CO <sub>2</sub> -neutral operation	Possible with paraffinic diesel fuel according to EN 15940
Rated power	55/54 kW
Engine capacity	2,925 cm <sup>3</sup>
Torque	300 Nm at 1,600 min <sup>-1</sup>
Cooling	Fluid
Air filter	2 stage, with electrical contamination indicator
Fuel tank capacity	65 liter

### Hydraulic System

Axial piston variable displacement pump with demand-oriented flow rate and load-controlled pressure control. Fully variable temperature-dependent control of cooling capacity. Cooling system with periodic reverse direction of rotation for cleaning.

System	Load-Sensing
Operating pressure	240 bar
Hydraulic oil tank capacity	110 liter
Max. pump pressure	250 bar
Max. pump flow	150 l/min (55 kW) 130 l/min (37 kW)
Pump type	Axial piston variable displacement pump
Filtering	Hydraulic tank return filter

### Upper Structure

Hydrostatic slew drive with axial piston motor & planetary gear.

Rotation	360°, continuous, endless
Rotation speed	0 – 2.8 min <sup>-1</sup>
Slewing brake	Spring set, hydraulically released wet multi disc brake

# 220

## » Technical specifications

### Three-stage Articulated Boom (K version)

Three-stage articulated boom. Fully enclosed design to protect the hoses and the tool cylinder against radiation heat and falling objects.

Max. range	6,800 mm
------------	----------

### Cradle & Telescopic Boom

Telescopic boom with integrated rotating unit. Fully enclosed design to protect the hoses and the tool cylinder against radiation heat and falling objects.

Max. range	6,400 mm
------------	----------

Telescopic stroke	2,000 mm
-------------------	----------

Rotation	360°, continuous, endless
----------	---------------------------

Boom rotation speed	0 – 5 min <sup>-1</sup>
---------------------	-------------------------

Boom rotation torque	3,700 Nm
----------------------	----------

Boom push/pull force	17 kN
----------------------	-------

### Radio Remote Control (inclusive)

Operation via 2 joysticks. Illuminated colour display. Waist belt carrying system.

Weight	4.5 kg
--------	--------

### Electrical System

System voltage	24 V
----------------	------

Battery	2 pcs.
---------	--------

### Lighting

Upper structure	2 x LED headlights + 2 LED headlights (optional)
-----------------	---

Surrounding warning light	1 x LED, yellow
---------------------------	-----------------

### Paint

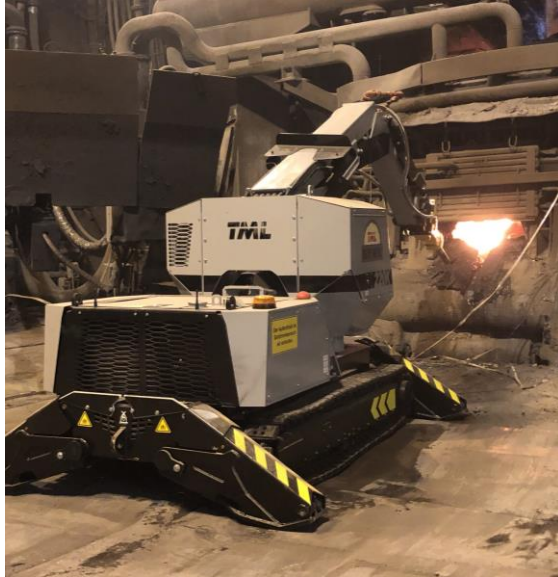
Main colour	Yellow, RAL 1007
-------------	------------------

Contrasting colour	Black, RAL 9005, RAL 9005
--------------------	---------------------------



Radio remote control





**UNIDACHS 220K**



**UNIDACHS 220**

# UNIDACHS - The best answer to extreme conditions

Crawler Undercarriage	2 Series Heavy Metal	2 Series Hard Rock
Chain sealed lifetime lubricated	●	●
Base plates 200 mm	●	●
Rubber pads for base plates	○	○
2nd driving stage for two driving speeds	○	○

Upper Structure	2 Series Heavy Metal	2 Series Hard Rock
Rotation 360°, continuous, endless	●	●
Central lubrication system for upper structure and cradle	○	○
Arctic pack (hydraulic oil, engine and fuel preheating, Battery trickle charge (starter battery, 230V / 115V))	○	○
Storage compartment	●	●
Charger for remote control battery	●	●
Main isolator switch for electrical system	●	●
Service doors lockable	●	●

Drive Unit Options	2 Series Heavy Metal	2 Series Hard Rock
Diesel engine, TCD 2.9, 4 cylinders, EU V, US EPA Tier 4, 55 kW (EU/USA)	○	○
Diesel engine, TCD 2.9, 4 cylinders, EU IIIB, US EPA Tier4i, 54 kW (non EU/USA)	○	○
Elektro drive 3-Phase, Voltage (400V oder 460V) rated power 37 kW	○	○

Boom	2 Series Heavy Metal	2 Series Hard Rock
Telescopic stroke 2,000 mm	●	●
Rotation 360°, continuous, endless	●	●
Three-stage articulated boom (K version)	○	○
Flange extension (telescopic boom only)	○	○
Dirt deflector between main boom and inner boom	○	●
Additional hose tray for hydraulic or pneumatic tools	○	○
Bumper plates on the main boom	○	●
Central lubrication system cradle	○	○
Overload warning system	○	○

Key: ● Standard ○ Option



**UNIDACHS 220**



**Unidachs 220K**

# UNIDACHS Series 2

Radio Remote Control	2 Series Heavy Metal	2 Series Hard Rock
Remote control via radio transmission	●	●
Remote control via cable	●	●
2 Joysticks	●	●
Illuminated colour display	●	●
Operating mode selector switch	●	●
Single hand drive mode	●	●
Tool control	●	●
Radio frequency 16 channels 433/434 MHz	●	●
Radio frequency 16 channels 535 MHz	○	○
Radio frequency 16 channels 461 MHz	○	○
Emergency stop button on transmitter unit	●	●
Waist belt carrying system	●	●

Lighting	2 Series Heavy Metal	2 Series Hard Rock
2x LED work lights upper structure, front	●	●
1x LED rotating beacon yellow	●	●
“Blue Spot” light in the rear area	○	○
Lighting package: 2x LED work lights	○	○

Attachment Tools	2 Series Heavy Metal	2 Series Hard Rock
Mechanical quick coupler	●	●
Rotary drum cutter	○	○
Profile drum cutter	○	○
Bucket 0.2 m <sup>3</sup>	○	○
Hydraulic grab	○	○
Hydraulic hammer max. 500kg	○	○
Concrete spray nozzles	○	○
Bow setting device	○	○

Accessories & Extras	2 Series Heavy Metal	2 Series Hard Rock
Tool kit	●	●
Emergency first aid kit	●	●
Storage compartments	●	●
Remote control charger	●	●
Flame retardant hydraulic fluid	○	○
Camera system	○	○

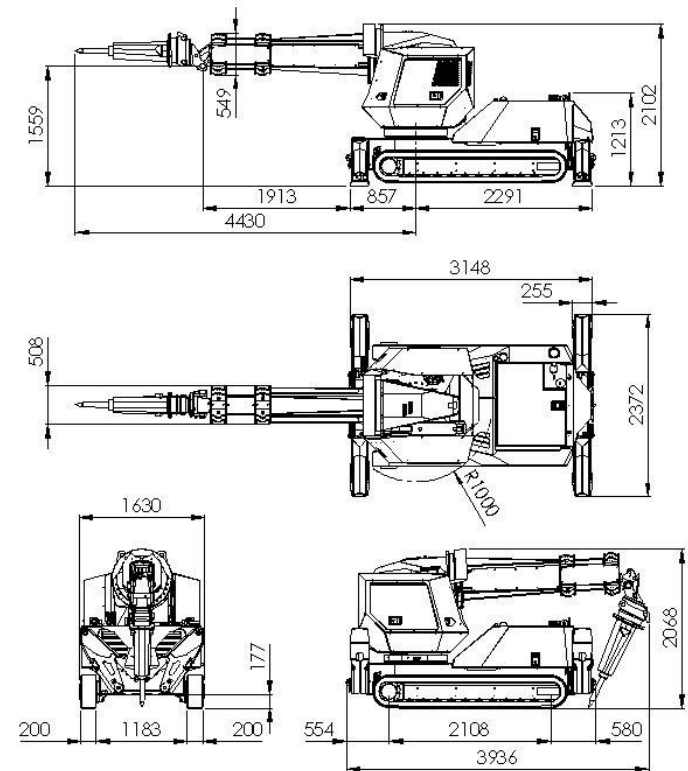
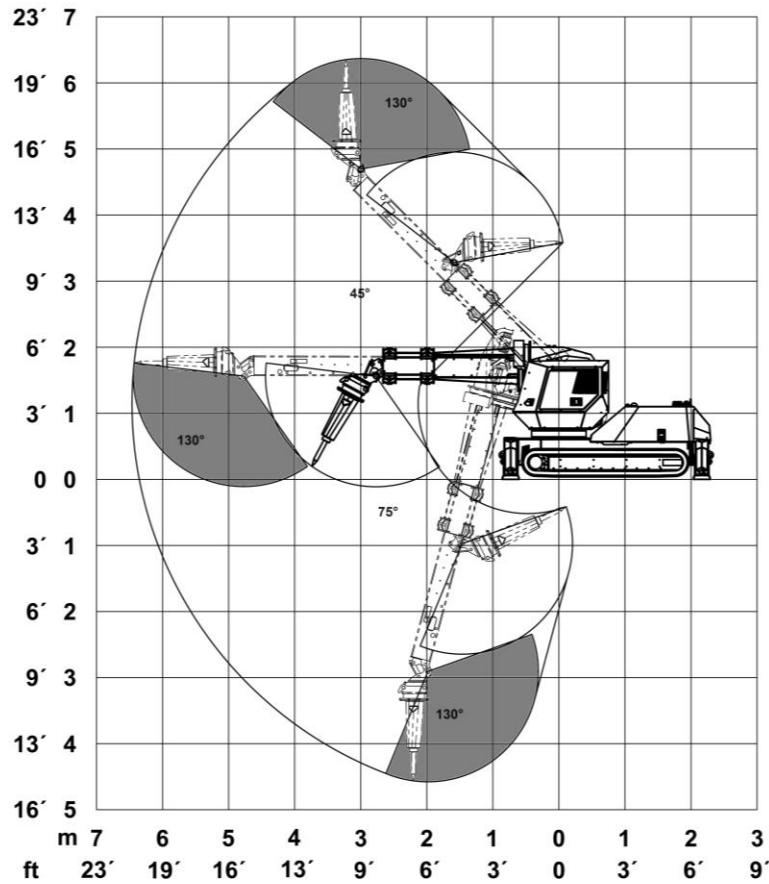
  

Software	2 Series Heavy Metal	2 Series Hard Rock
TML Connect	○	○

Key: ● Standard ○ Option

# 220

## » Kinematics and dimensions



# » Kinematics and dimensions

# 220K

